



Instructions for the download
and installation of the ZIACOM
exocad libraries

Download software

From your computer, open the browser and enter the following URL: www.ziacom.com

In the DIGITAL FLOW menu, go to the section CAD/CAM libraries > select Exocad.

Click on **exocad**

A file called Exocad.zip will be downloaded to the Downloads folder on your computer.

Decompress the file

Go to the Downloads folder on your computer and decompress the file called

Exocad.zip.

To decompress the file, you can use a standard decompression tool that can be downloaded online such as 7-zip.

When you decompress the file, 2 folders will appear:

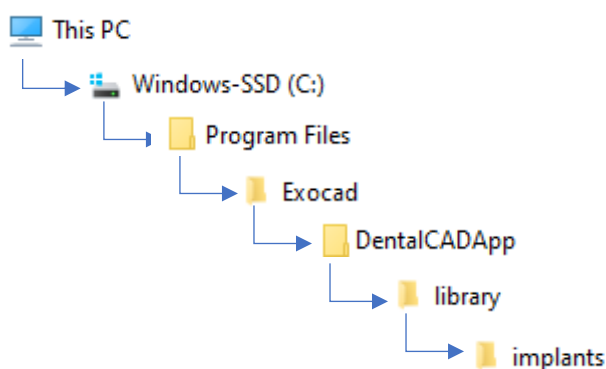
- "IMPLANT" (containing the ZIACOM implant libraries)
- "MODEL CREATOR" (containing the ZIACOM digital replica library)

Keep the Downloads folder open.

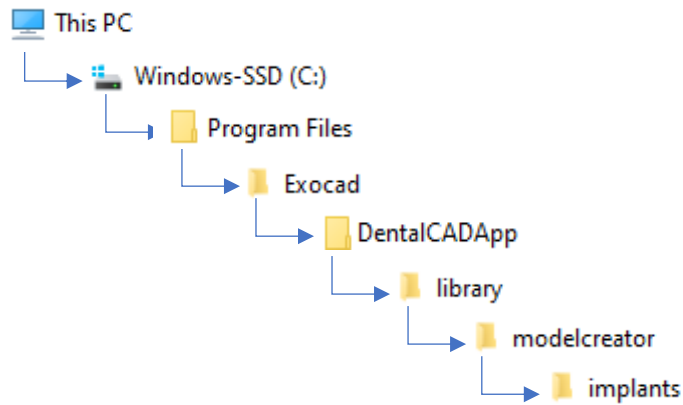
Folder path

Open the window where your Exocad libraries are located. Find them using the file manager on your computer at the path indicated below.

The ZIACOM implant libraries will be stored in the "implant" folder.



The ZIACOM digital replica libraries will be stored in the "implants" folder, within the "modelcreator" folder.



For the implant library: Open the folder "IMPLANT" downloaded previously, select all the content in the folder, right click and select the option "Copy". Go to the "implant" folder, right click once again and select the option "Paste".

For the digital replica library: Open the folder "MODELCREATOR" downloaded previously, select all the content in the folder, right click and select the option "Copy". Go to the "implants" folder in the "modelcreator" folder, right click once again and select the option "Paste".